

COMPONENT LIST:

- 100 FUSE HOLDER
- 101 INDICATOR LAMP GREEN
- 102 2POS SS - DPDT 1- N.O. & 1-N.C.
- 103 3POS SS - DPST 2-N.O.
- 104 POTENTIOMETER - 5K x 270 DEG
- 105 WATLOW TEMP CONTROL
- 106 STRAIN RELIEF
- 107 10 PT TERMINAL BLOCK
- 108 8 PT TERMINAL BLOCK
- 120 2POS SS - DPDT 2- N.O.

SINCLAIR EQUIPMENT COMPANY

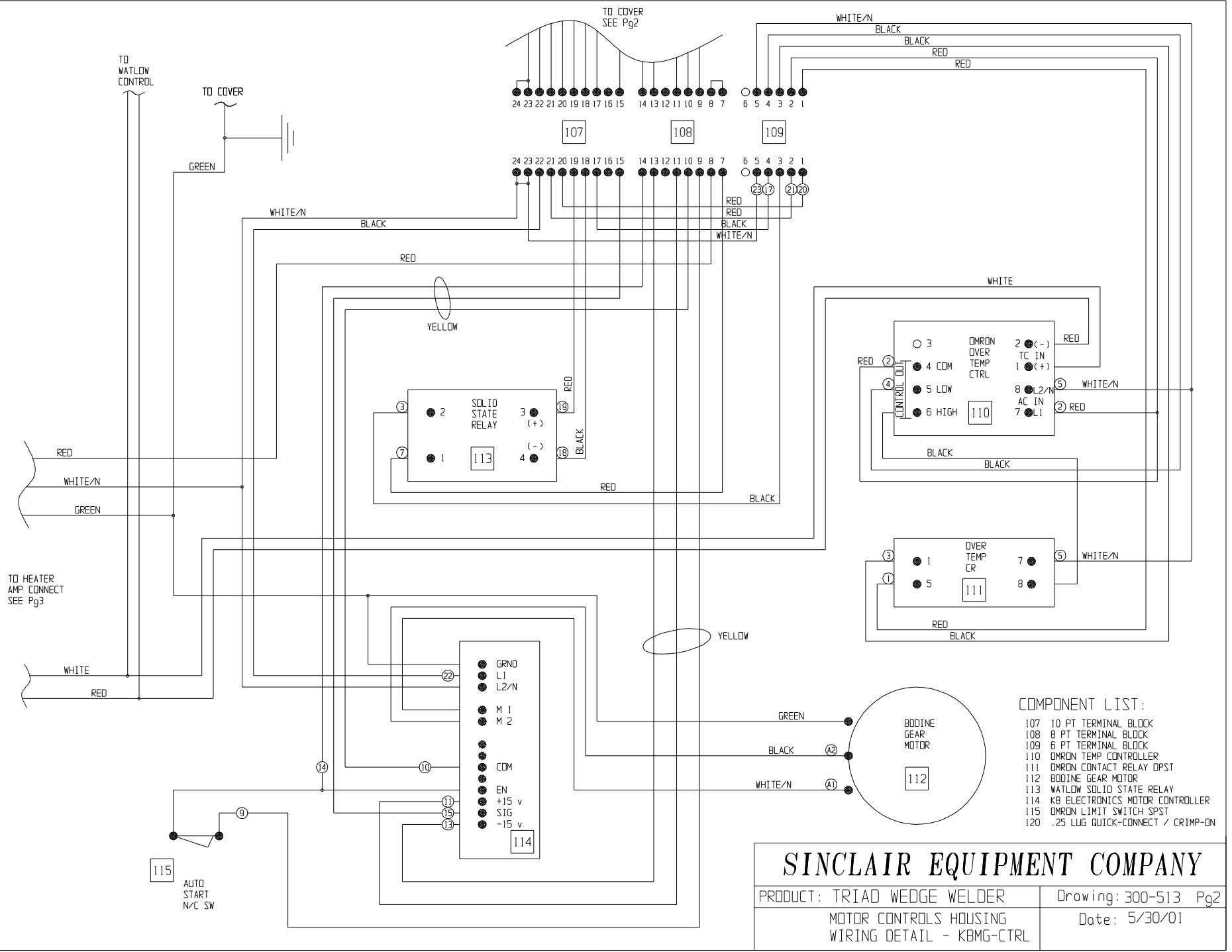
PRODUCT: TRIAD WEDGE WELDER

Drawing: 300-513 Pg1

TOP COVER

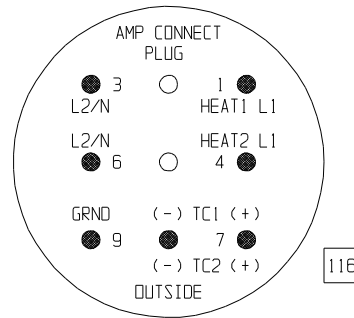
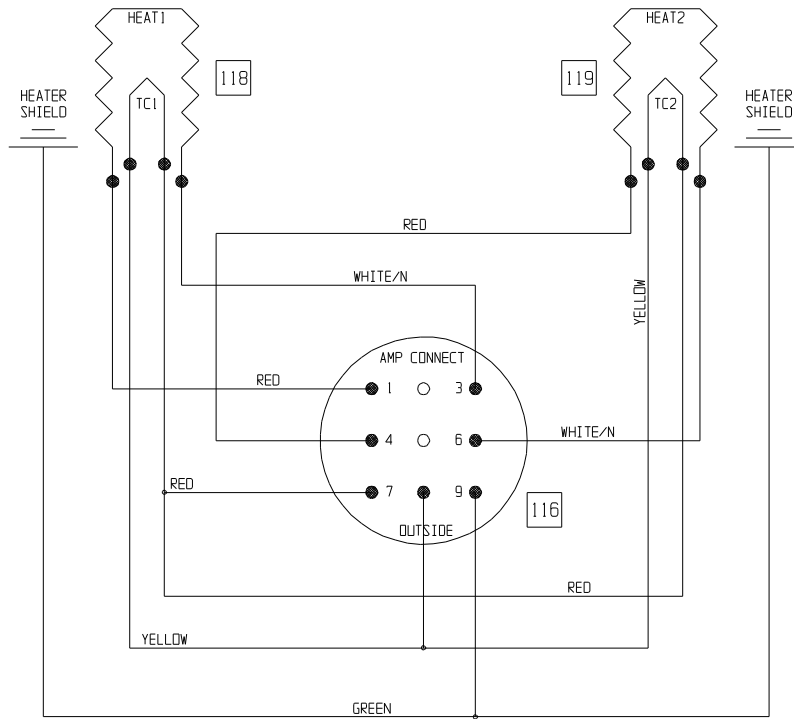
Date: 5/30/01

WIRING DETAIL - KBMG-CTRL



- COMPONENT LIST:**
- 107 10 PT TERMINAL BLOCK
 - 108 8 PT TERMINAL BLOCK
 - 109 6 PT TERMINAL BLOCK
 - 110 OMRON TEMP CONTROLLER
 - 111 OMRON CONTACT RELAY DPST
 - 112 BODINE GEAR MOTOR
 - 113 WATLOW SOLID STATE RELAY
 - 114 KB ELECTRONICS MOTOR CONTROLLER
 - 115 OMRON LIMIT SWITCH SPST
 - 120 .25 LUG QUICK-CONNECT / CRIMP-ON

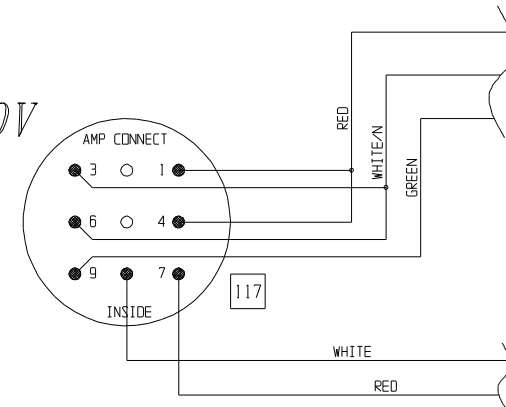
SINCLAIR EQUIPMENT COMPANY	
PRODUCT: TRIAD WEDGE WELDER	Drawing: 300-513 Pg2
MOTOR CONTROLS HOUSING WIRING DETAIL - KBMG-CTRL	Date: 5/30/01



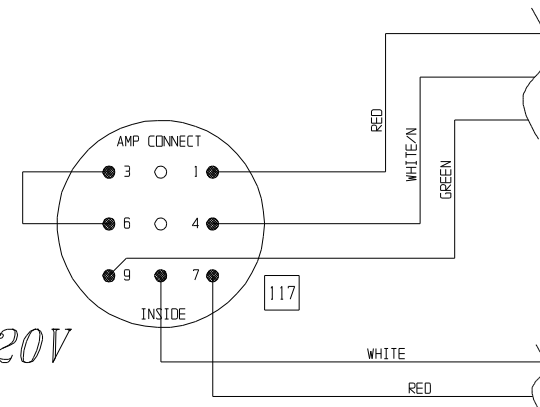
COMPONENT LIST:

- 116 A.M.P. CIRCULAR CONNECTOR PLUG
- 117 A.M.P. CIRCULAR CONNECTOR RECEPTACLE
- 118 SHORT HEATER
- 119 LONG HEATER

120V



220V



SINCLAIR EQUIPMENT COMPANY

PRODUCT: TRIAD WEDGE WELDER

Drawing: 300-513 Pg3

WEDGE HEATER WIRING
DETAIL (FOR 120V & 220V)

Date: 5/30/01