

COMPONENT LIST:

- 100 FUSE HOLDER
- 101 INDICATOR LAMP GREEN
- 102 2POS SS - 1-SPDT N.D.
- 103 3POS SS - DPDT 1-N.D. & 1-N.C.
- 105 WATLOW TEMP CONTROL
- 106 STRAIN RELIEF
- 107 10 PT TERMINAL BLOCK
- 108 8 PT TERMINAL BLOCK
- 120 2POS SS - DPOT 2-N.D.

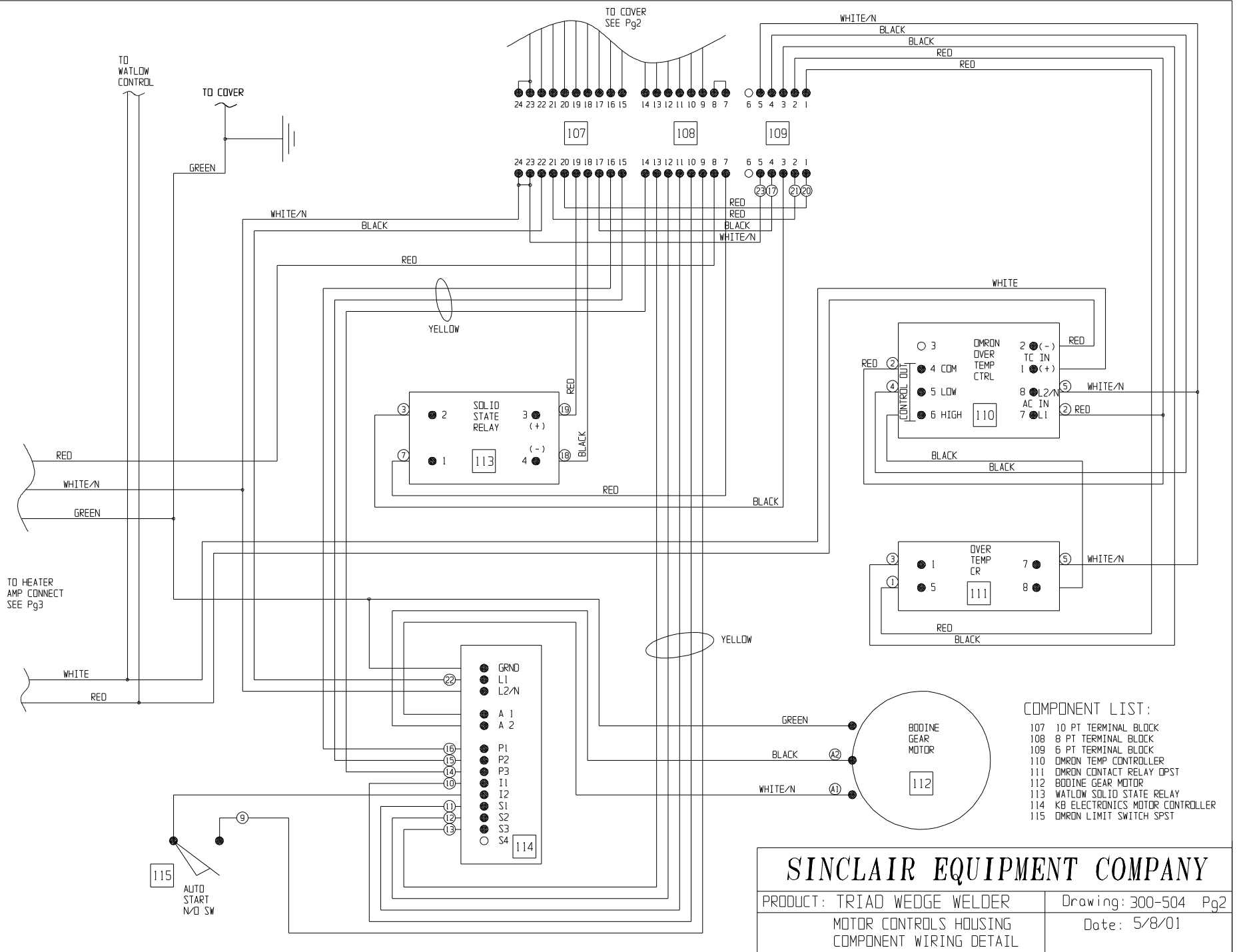
SINCLAIR EQUIPMENT COMPANY

PRODUCT: TRIAD WEDGE WELDER

Drawing: 300-504 Pg1

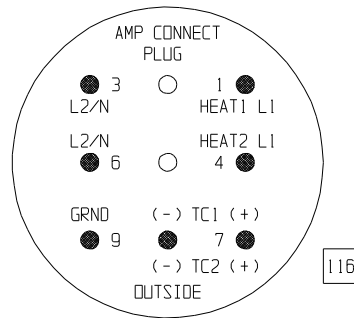
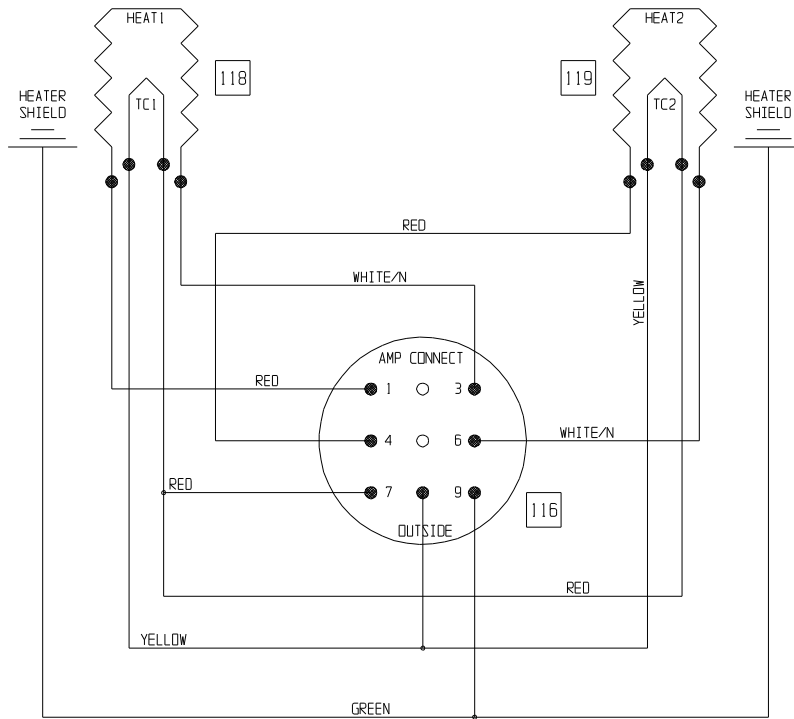
TOP COVER
COMPONENT WIRING DETAIL

Date: 5/8/01



- COMPONENT LIST:
- 107 10 PT TERMINAL BLOCK
 - 108 8 PT TERMINAL BLOCK
 - 109 6 PT TERMINAL BLOCK
 - 110 OMRON TEMP CONTROLLER
 - 111 OMRON CONTACT RELAY DPST
 - 112 BODINE GEAR MOTOR
 - 113 WATLOW SOLID STATE RELAY
 - 114 KB ELECTRONICS MOTOR CONTROLLER
 - 115 OMRON LIMIT SWITCH SPST

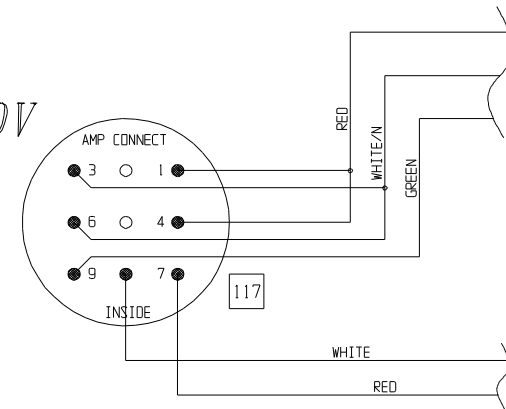
SINCLAIR EQUIPMENT COMPANY	
PRODUCT: TRIAD WEDGE WELDER	Drawing: 300-504 Pg2
MOTOR CONTROLS HOUSING COMPONENT WIRING DETAIL	Date: 5/8/01



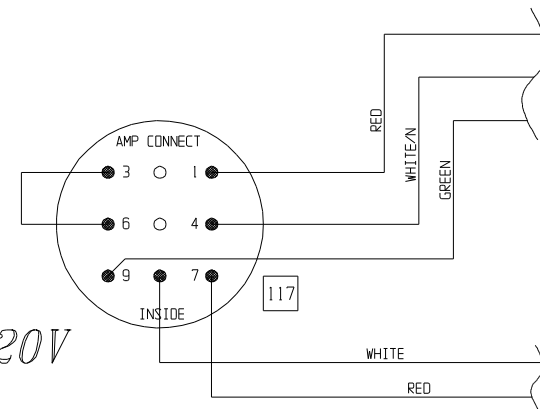
COMPONENT LIST:

- 116 A.M.P. CIRCULAR CONNECTOR PLUG
- 117 A.M.P. CIRCULAR CONNECTOR RECEPTACLE
- 118 SHORT HEATER
- 119 LONG HEATER

120V



220V



SINCLAIR EQUIPMENT COMPANY

PRODUCT: TRIAD WEDGE WELDER

Drawing: 300-504 Pg4

WEDGE HEATER WIRING
DETAIL (FOR 120V & 220V)

Date: 5/8/01