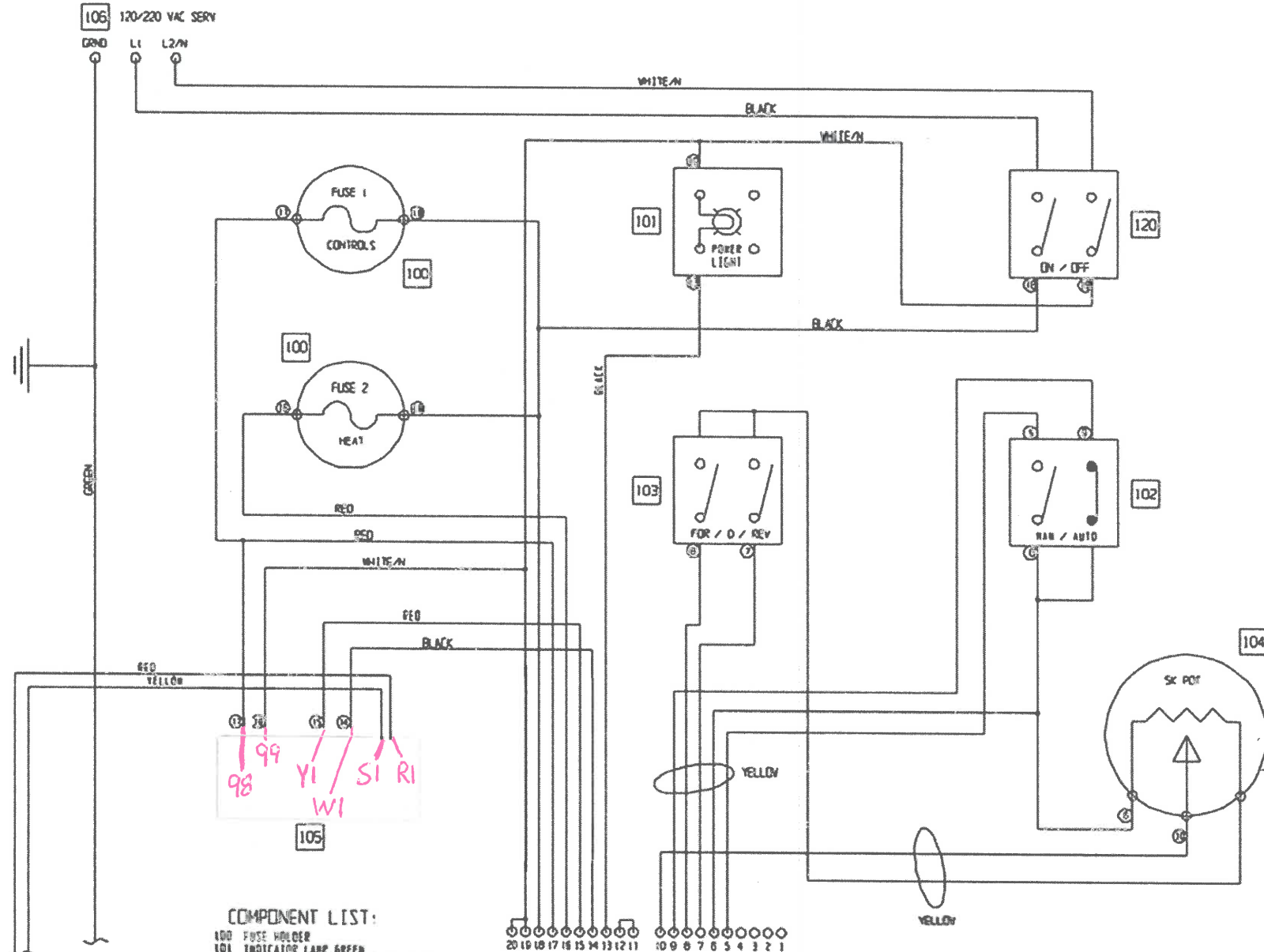


MAY 20TH, 2008



COMPONENT LIST:

- 100 FUSE HOLDER
- 101 INDICATOR LAMP GREEN
- 102 2POS SS - OPDT 1 - W.D. & 1-W.C.
- 103 2POS SS - OPST 2-W.D.
- 104 POTENTIOMETER - SK - 270 DEG
- 105 WATLOW TEMP CONTROL
- 106 STRAIN RELIEF
- 107 10 PT TERMINAL BLOCK
- 108 10 PT TERMINAL BLOCK
- 120 2POS SS - OPDT 2 - W.D.

SINCLAIR EQUIPMENT COMPANY

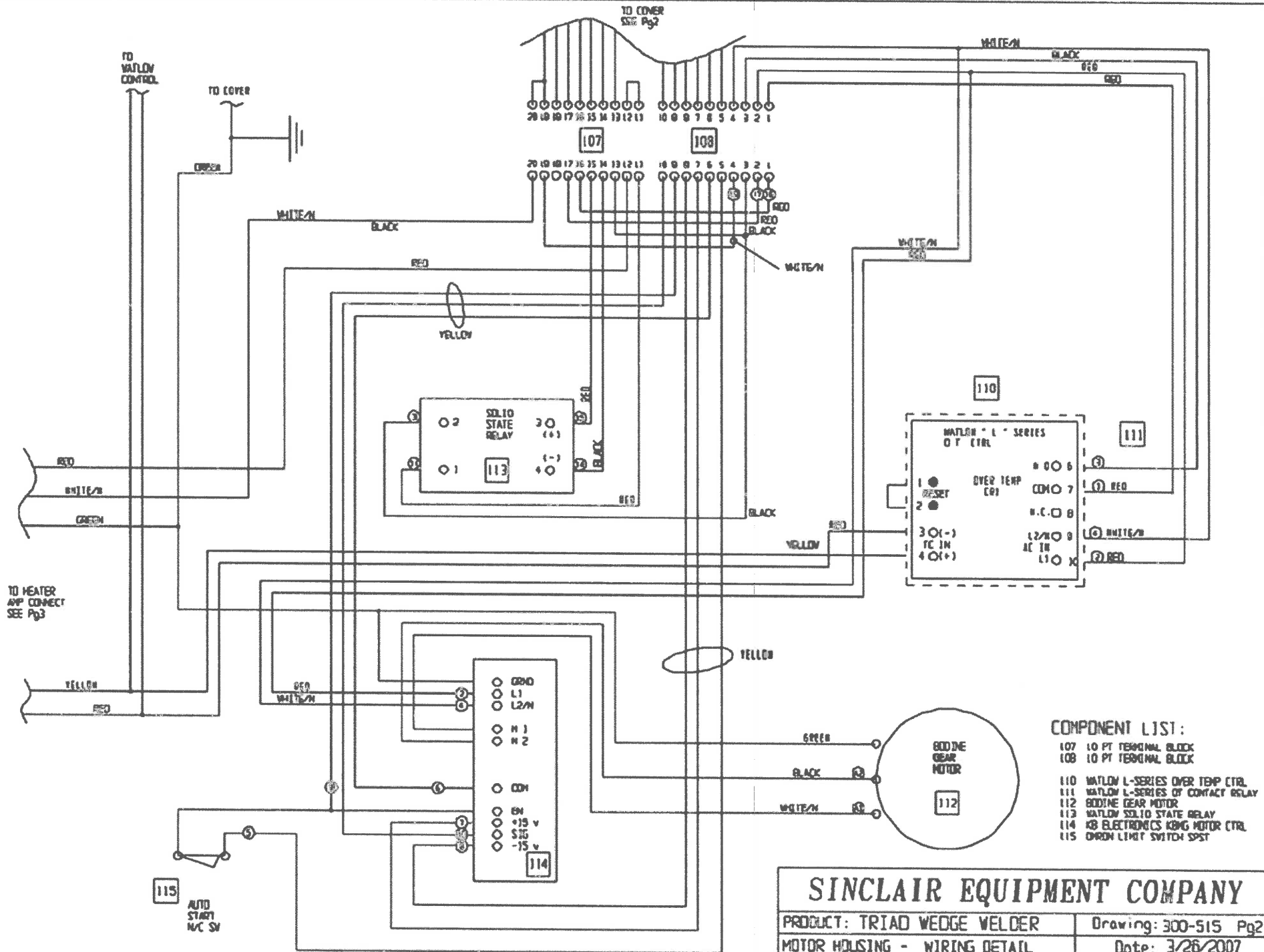
PRODUCT: TRIAD WEDGE WELDER

Drawing: 300-515 Pg1

TOP COVER - WIRING DETAIL

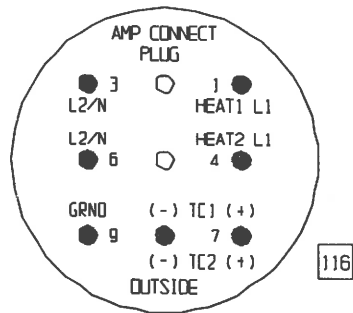
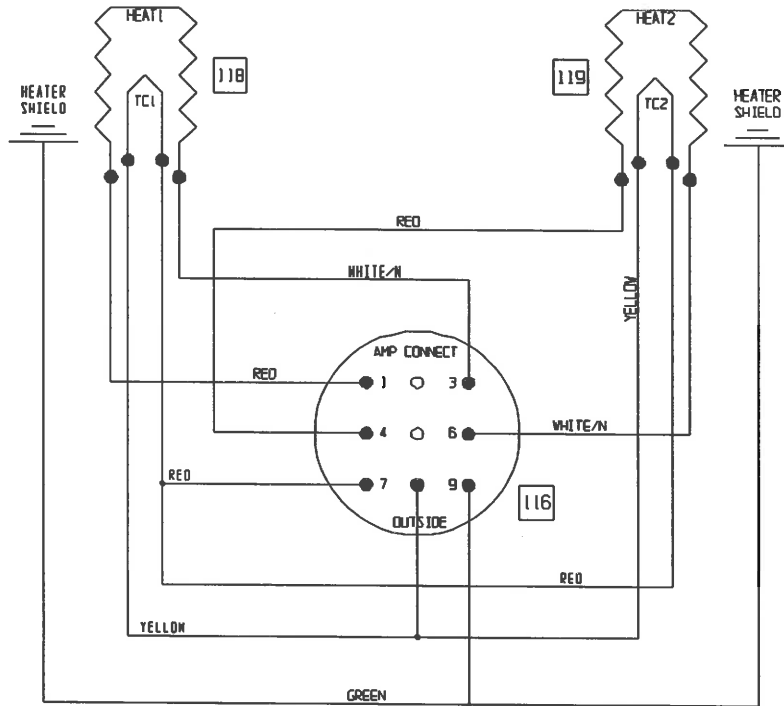
Date: 3/26/2007

KBMG MTR / WATLOW 147 & 935 CTRLS



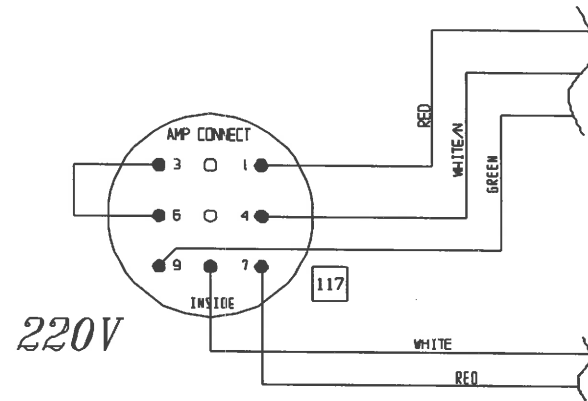
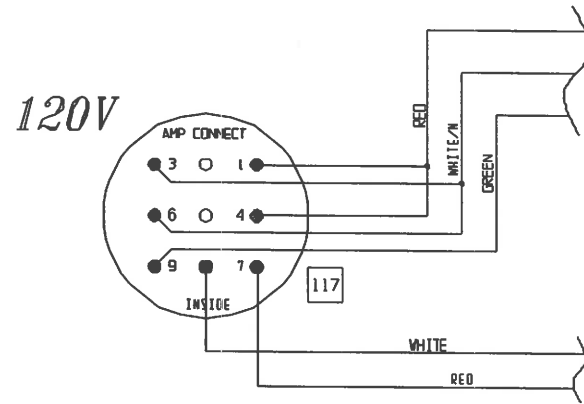
- COMPONENT LIST:**
- 107 10 PT TERMINAL BLOCK
 - 108 10 PT TERMINAL BLOCK
 - 110 WATLOW L-SERIES OVER TEMP CTRL
 - 111 WATLOW L-SERIES OF CONTACT RELAY
 - 112 BODINE GEAR MOTOR
 - 113 WATLOW SOLID STATE RELAY
 - 114 KB ELECTRONICS KBMG MOTOR CTRL
 - 115 ON/OFF SWITCH SPST

SINCLAIR EQUIPMENT COMPANY	
PRODUCT: TRIAD WEDGE WELDER	Drawing: 300-515 Pg2
MOTOR HOUSING - WIRING DETAIL	Date: 3/26/2007
KBMG MTR / WATLOW 147 & 935 CTRLS	



COMPONENT LIST:

- 116 A.M.P. CIRCULAR CONNECTOR PLUG
- 117 A.M.P. CIRCULAR CONNECTOR RECEPTACLE
- 118 SHORT HEATER
- 119 LONG HEATER



SINCLAIR EQUIPMENT COMPANY

PRODUCT: TRIAD WEDGE WELDER

Drawing: 300-515 Pg3

WEDGE HEATER WIRING
DETAIL (FOR 120V & 220V)

Date: 3/26/2007