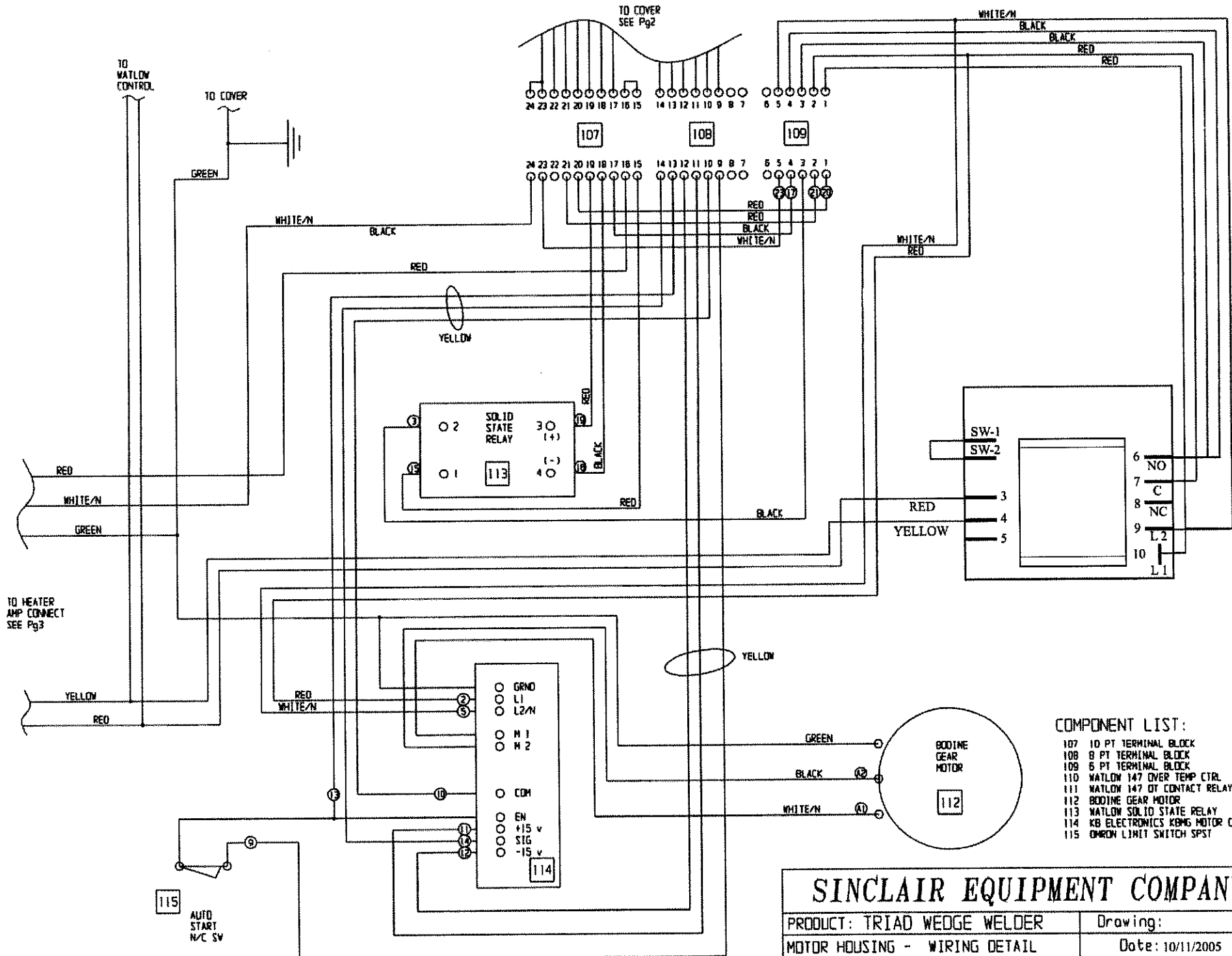


COMPONENT LIST:

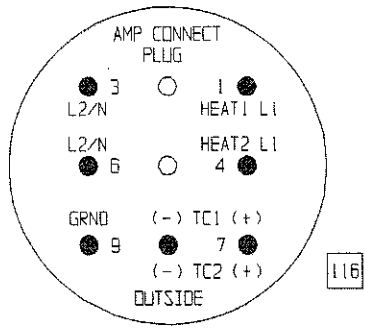
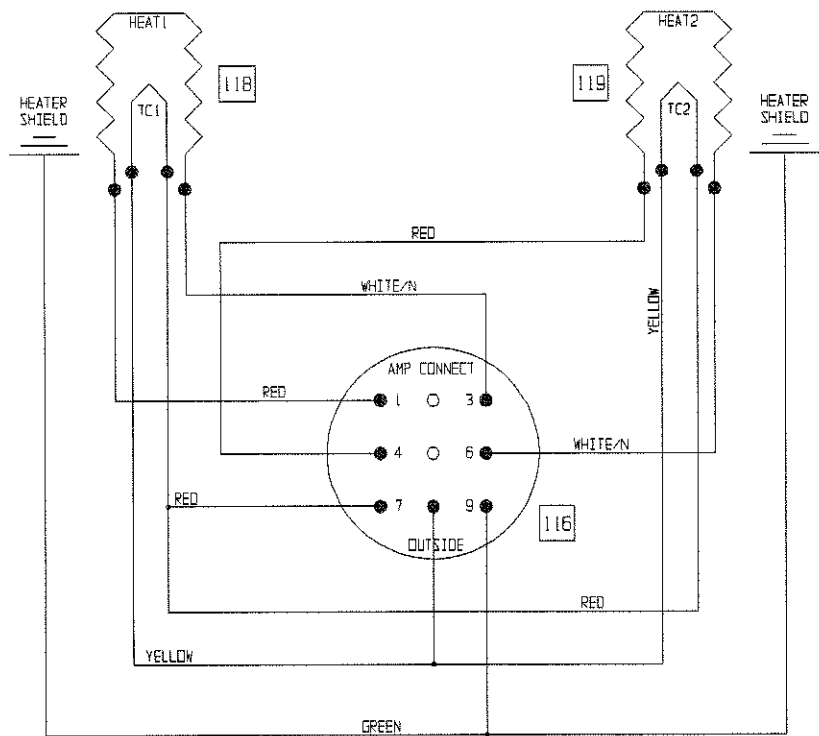
- 100 FUSE HOLDER
- 101 INDICATOR LAMP GREEN
- 102 2POS SS - DPOT 1- N.O. & 1-N.C.
- 103 3POS SS - DPST 2-N.O.
- 104 POTENTIOMETER - 5K x 270 DEG
- 105 WATLOW TEMP CONTROL
- 106 STRAIN RELIEF
- 107 10 PT TERMINAL BLOCK
- 108 8 PT TERMINAL BLOCK
- 120 2POS SS - DPOT 2- N.O.

SINCLAIR EQUIPMENT COMPANY	
PRODUCT: TRIAD WEDGE WELDER	Drawing: 300-514 Pg1
TOP COVER - WIRING DETAIL	Date: 6/4/03
KBMG MTR / WATLOW 147 & 935 CTRLS	

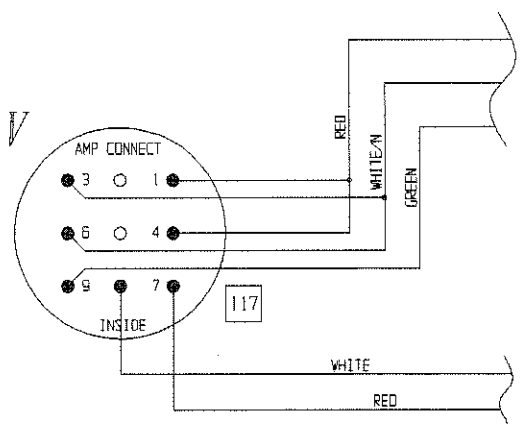


- COMPONENT LIST:**
- 107 10 PT TERMINAL BLOCK
 - 108 8 PT TERMINAL BLOCK
 - 109 6 PT TERMINAL BLOCK
 - 110 WATLOW 147 OVER TEMP CTRL
 - 111 WATLOW 147 OT CONTACT RELAY
 - 112 BODINE GEAR MOTOR
 - 113 WATLOW SOLID STATE RELAY
 - 114 KB ELECTRONICS KBMG MOTOR CTRL
 - 115 OMRON LIMIT SWITCH SPST

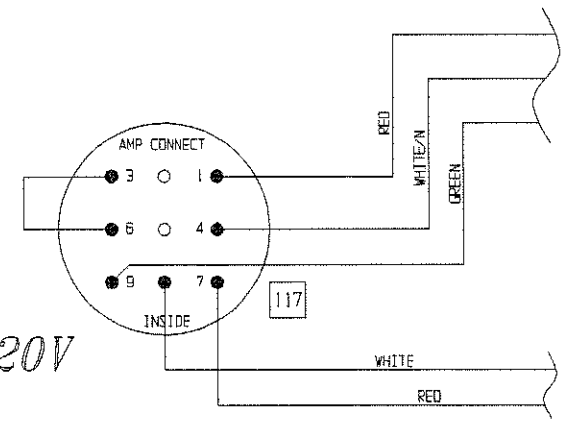
SINCLAIR EQUIPMENT COMPANY	
PRODUCT: TRIAD WEDGE WELDER	Drawing:
MOTOR HOUSING - WIRING DETAIL KBMG MTR / WATLOW 147 & 935 CTRLS	Date: 10/11/2005



120V



220V



COMPONENT LIST:

- 116 A.M.P. CIRCULAR CONNECTOR PLUG
- 117 A.M.P. CIRCULAR CONNECTOR RECEPTACLE
- 118 SHORT HEATER
- 119 LONG HEATER

SINCLAIR EQUIPMENT COMPANY

PRODUCT: TRIAD WEDGE WELDER	Drawing: 300-514 Pg3
WEDGE HEATER WIRING DETAIL (FOR 120V & 220V)	Date: 6/4/03