

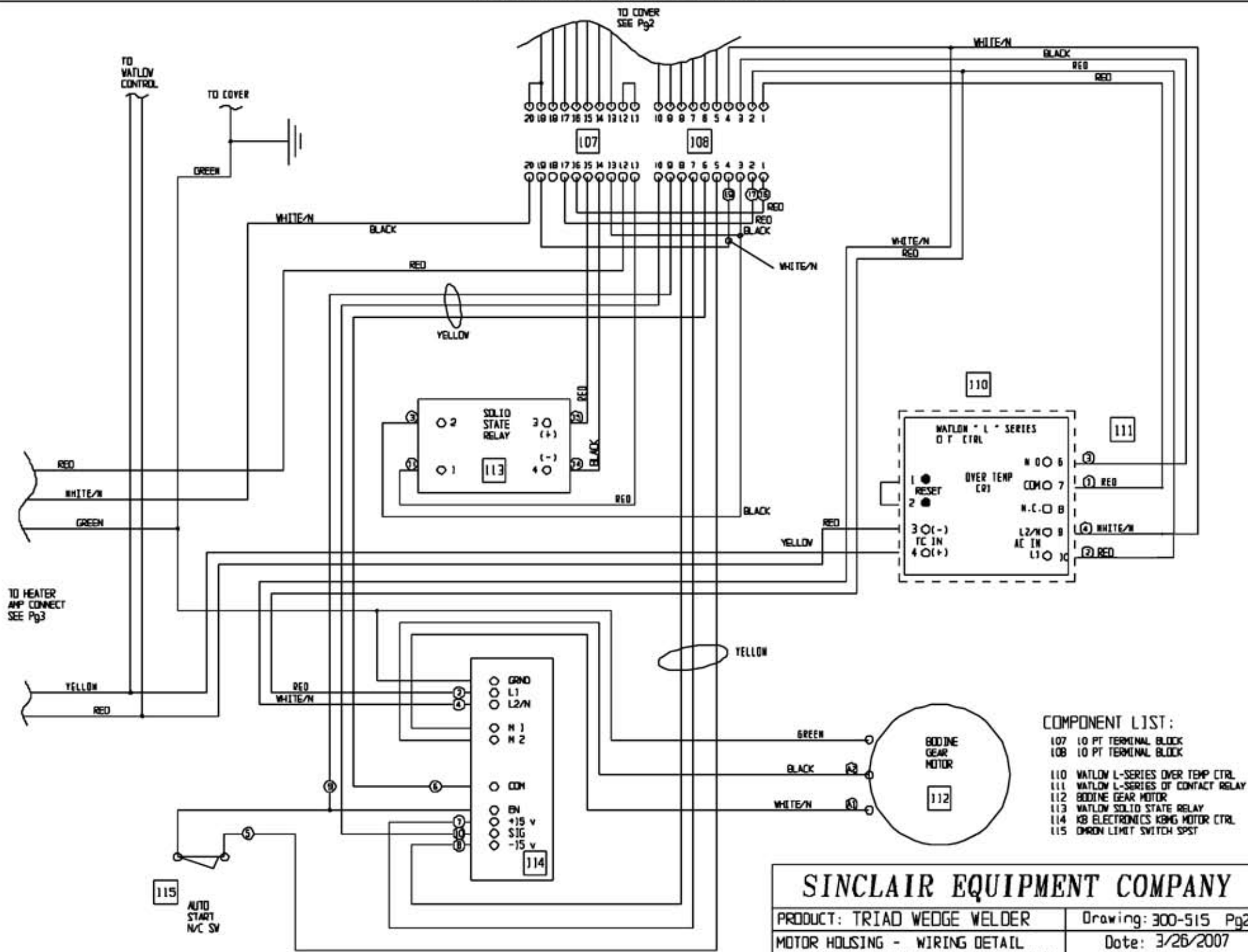
COMPONENT LIST:

- 100 FUSE HOLDER
- 101 INDICATOR LAMP GREEN
- 102 2POS SS - DPOT 1- N.O. & 1-N.C.
- 103 3POS SS - DPST 2-N.O.
- 104 POTENTIOMETER - 5K x 270 DEG
- 105 WATLOW TEMP CONTROL
- 106 STRAIN RELIEF
- 107 10 PT TERMINAL BLOCK
- 108 10 PT TERMINAL BLOCK
- 120 2POS SS - DPOT 2- N.O.

SINCLAIR EQUIPMENT COMPANY

PRODUCT: TRIAD WEDGE WELDER
 TOP COVER - WIRING DETAIL
 KBMG MTR / WATLOW 147 & 935 CTRLS

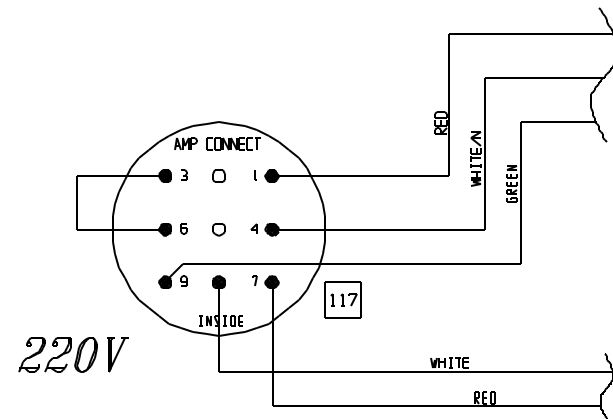
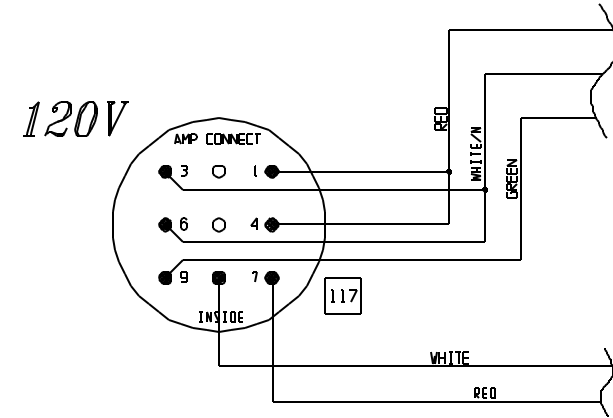
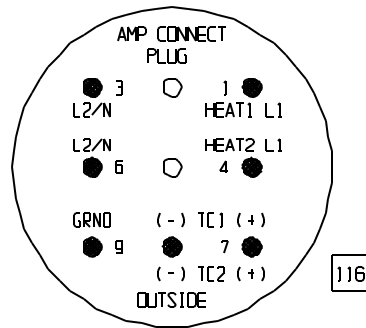
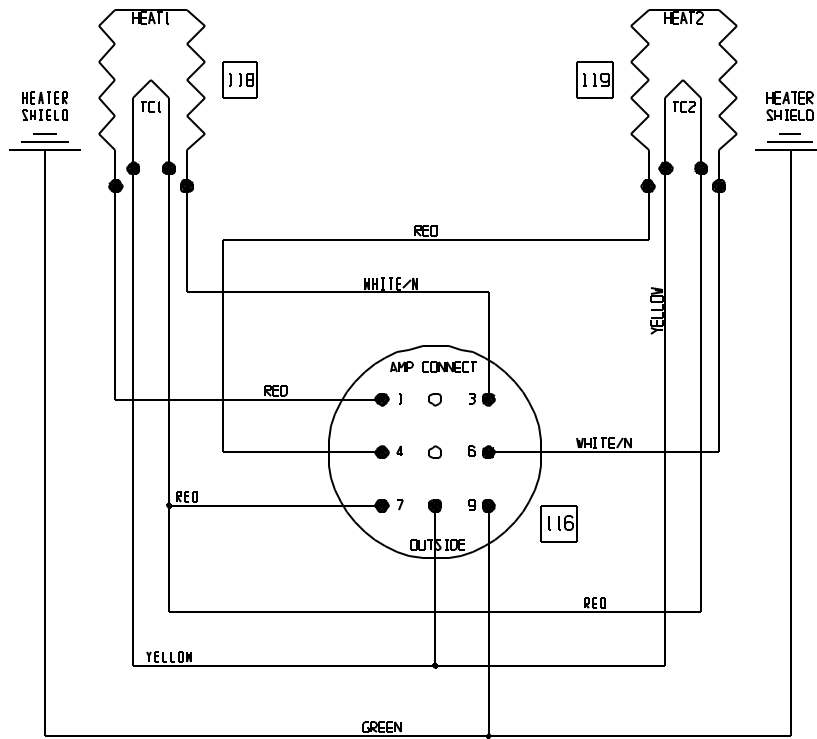
Drawing: 300-515 Pg1
 Date: 3/26/2007



- COMPONENT LIST:**
- 107 10 PT TERMINAL BLOCK
 - 108 10 PT TERMINAL BLOCK
 - 110 WATLOW L-SERIES OVER TEMP CTRL
 - 111 WATLOW L-SERIES OF CONTACT RELAY
 - 112 BODINE GEAR MOTOR
 - 113 WATLOW SOLID STATE RELAY
 - 114 KB ELECTRONICS KBMG MOTOR CTRL
 - 115 OMRON LIMIT SWITCH SPST

SINCLAIR EQUIPMENT COMPANY

PRODUCT: TRIAD WEDGE WELDER	Drawing: 300-515 Pg2
MOTOR HOUSING - WIRING DETAIL	Date: 3/26/2007
KBMG MTR / WATLOW 147 & 935 CTRLS	



COMPONENT LIST:

- 116 A.M.P. CIRCULAR CONNECTOR PLUG
- 117 A.M.P. CIRCULAR CONNECTOR RECEPTACLE
- 118 SHORT HEATER
- 119 LONG HEATER

SINCLAIR EQUIPMENT COMPANY	
PRODUCT: TRIAD WEDGE WELDER	Drawing: 300-515 Pg3
WEDGE HEATER WIRING DETAIL (FOR 120V & 220V)	Date: 3/26/2007